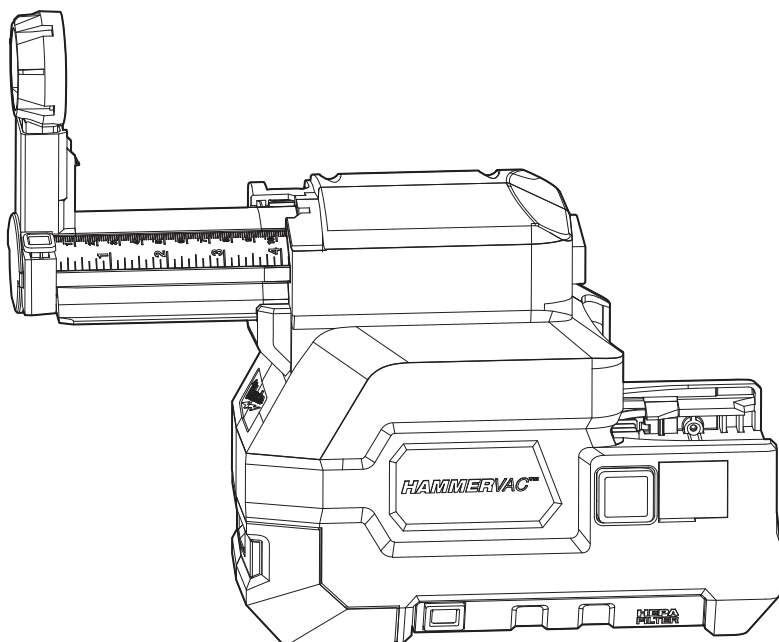





OPERATOR'S MANUAL



Cat. No.
M18 CDEX

M18™ HAMMERVAC™ DEDICATED DUST EXTRACTOR

 **WARNING**

 To reduce the risk of injury, user must read and understand operator's manual.

IMPORTANT SAFETY INSTRUCTIONS

⚠ WARNING WHEN USING AN ELECTRICAL DUST EXTRACTOR, BASIC PRECAUTIONS SHOULD ALWAYS BE FOLLOWED, INCLUDING THE FOLLOWING: READ ALL INSTRUCTIONS BEFORE USING DUST EXTRACTOR. FOR HOUSEHOLD OR COMMERCIAL USE. BEFORE USING THE DUST EXTRACTOR, READ THIS OPERATOR'S MANUAL, YOUR TOOL, BATTERY PACK AND CHARGER OPERATOR'S MANUALS, AND ALL LABELS ON THE DUST EXTRACTOR, BATTERY PACK, CHARGER AND TOOL.

WORK AREA SAFETY

- **Keep work area clean and well lit.** Cluttered or dark areas invite accidents.
- **Dust extractors have motors and other parts that can produce sparks during normal use.** Do not use within 10 metres of areas where explosive materials may be present (such as gasoline pumps and places where liquids like paint thinners, cleaners, solvents, etc. are stored).
- **Do not use in the presence of explosive dust, liquids or vapors.**
- **Do not use where oxygen or anesthetics are used.**
- **Do not allow to be used as a toy.** Close attention is necessary when used by or near children.
- **Use extra care when using on stairs.**

ELECTRICAL SAFETY

- **Do not pick up wet material.** Do not use water to settle dust.
- **Do not handle battery pack or dust extractor with wet hands.**

PERSONAL SAFETY

- **STAY ALERT.** Watch what you are doing and use common sense. Do not use dust extractor when you are tired, distracted or under the influence of drugs, alcohol or medication causing diminished control.
- **The operation of a dust extractor can result in foreign objects being blown into eyes,** which can result in eye damage. Always wear safety goggles or glasses with side shields when operating dust extractor.
- **Wear a face or dust mask** when working in dust situations. Dust particles can harm your lungs.
- **Avoid accidental starting. Ensure the switch is in the off-position before inserting battery pack.** Inserting battery pack in dust extractor that has the switch on invites accidents.
- **Do not overreach. Keep proper footing and balance at all times.** This enables better control of the dust extractor in unexpected situations.
- **Keep hair, loose clothing, fingers, and all parts of body away from openings and moving parts.**
- **Use only as described in this manual.** Use only manufacturer's recommended attachments.

USE AND CARE

- **Do not use without dust box and/or filter in place.**
- **Do not use to pick up flammable or combustible liquids** such as gasoline or use in areas where they may be present.

- **Do not pick up anything that is burning or smoking** such as cigarettes, matches, or hot ashes.
- **Do not pick up soot, cement, plaster or drywall dust without filter in place.** These are very fine particles that may affect the performance of the motor or be exhausted back into the air.
- **To reduce the risk of health hazards from vapors or dust, do not vacuum toxic, carcinogenic or other hazardous materials** such as asbestos, arsenic, barium, beryllium, lead, pesticides or other health endangering materials.
- **WARNING:** Some dust created by power sanding, sawing, grinding, drilling, and other construction activities contains chemicals known to cause cancer, birth defects or other reproductive harm. Some examples of these chemicals are:
 - lead from lead-based paint
 - crystalline silica from bricks and cement and other masonry products, and
 - arsenic and chromium from chemically-treated lumber.

- Your risk from these exposures varies, depending on how often you do this type of work. To reduce your exposure to these chemicals: work in a well ventilated area, and work with approved safety equipment, such as those dust masks that are specially designed to filter out microscopic particles.
- **Use special care when emptying heavily loaded tanks.**
 - **To avoid spontaneous combustion, empty dust box after each use.**
 - **Do not leave dust extractor unattended when battery pack is installed.** Remove battery pack when not in use and before servicing.
 - **Do not put any object into openings.** Do not use with any opening blocked; keep free of dust, lint, hair, and anything else that may reduce air flow.
 - **Maintain dust extractor. Check for misalignment or binding of moving parts, breakage of parts and any other condition that may affect the dust extractor's operation. If damaged, have the dust extractor repaired before use.** Many accidents are caused by poorly maintained tools.
 - **Maintain labels and nameplates.** These carry important information. If unreadable or missing, contact a **MILWAUKEE®** service facility for a replacement.

BATTERY PACK USE AND CARE

- **Use dust extractor only with specifically designated battery packs.** Use of any other battery packs may create a risk of injury and fire.

- Turn off all controls before removing battery pack.
- To reduce the risk of electric shock, do not use on wet surfaces. Do not expose to rain. Store indoors.
- Before using the battery pack or charger read the operator's manuals, and any labels on the battery pack, charger and dust extractor.
- Recharge only with the charger specified by the manufacturer. A charger that is suitable for one type of battery pack may create a risk of fire when used with another battery pack.
- When battery pack is not in use, keep it away from other metal objects like paper clips, coins, keys, nails, screws, or other small metal objects that can make a connection from one terminal to another. Shorting the battery terminals together may cause burns or a fire.
- Do not use damaged battery pack or dust extractor. If battery pack or dust extractor are not working as they should, have been dropped, damaged, left outdoors, or dropped into water, return them to a service centre.

SERVICE

- Have your power tool serviced by a qualified repair person using only identical replacement parts. This will ensure that the safety of the power tool is maintained.

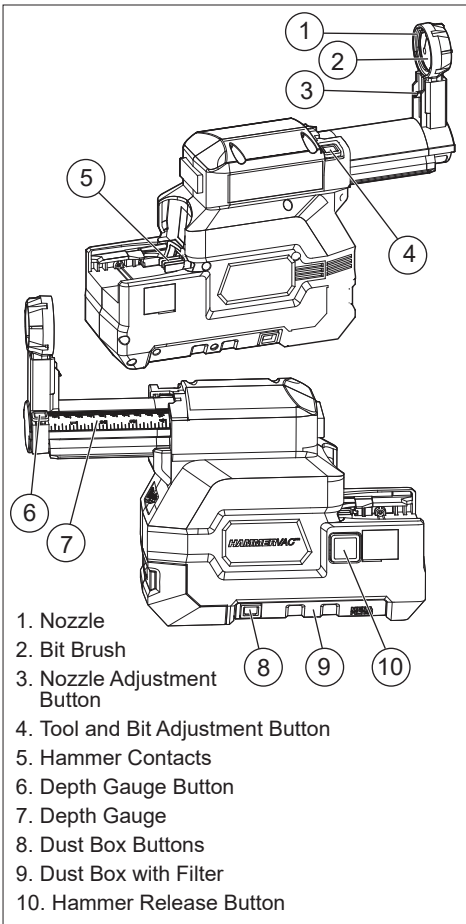
SPECIFIC SAFETY RULES

- Before using the dust extractor, read this operator's manual, your tool, battery pack and charger operator's manuals, and all labels on the dust extractor, battery pack, charger and tool.
- Never use dust extractor without dust box and HEPA filter in place. Never use water to clean dust box or HEPA filter.
- Wear ear protectors. Exposure to noise can cause hearing loss.
- Always use side handle(s) supplied with the tool. Loss of control can cause personal injury.
- Hold power tool by insulated gripping surfaces, when performing an operation where the fastener may contact hidden wiring. Fasteners contacting a "live" wire may make exposed metal parts of the power tool "live" and could give the operator an electric shock.

ADDITIONAL BATTERY SAFETY RULES

WARNING To reduce the risk of fire, personal injury, and product damage due to a short circuit, never immerse your tool, battery pack or charger in fluid or allow a fluid to flow inside them. Corrosive or conductive fluids, such as seawater, certain industrial chemicals, and bleach or bleach-containing products, etc., can cause a short circuit.

FUNCTIONAL DESCRIPTION



**READ AND
 SAVE ALL
 INSTRUCTIONS
 FOR FUTURE USE**

SPECIFICATIONS

Cat. No.	Volts DC	Max. Bit Diameter	For use only with Rotary Hammers:
M18CDEX	18	15.88mm (5/8")	M18CH-0 M18™ FUEL™ 26mm SDS PLUS Rotary Hammer

ASSEMBLY

⚠ WARNING To reduce the risk of injury, always remove the battery pack before removing the dust box. Do not use tool without dust box and HEPA filter in place.

Installing/Removing the Dust Box and HEPA Filter

To **remove** the dust box:

1. Turn OFF the tool.
2. Remove the battery pack.
3. Squeeze the dust box latches.
4. Pull the dust box away from the HAMMERVAC™.
5. Clean filter and dust box by following the following recommended steps in the "Removal and Cleaning of Dust Box and Filter" section.

To **install** the dust box:

1. Slide the dust box into the body of the HAMMERVAC™.
 2. The dust box latches should snap into place.
- NOTE:** Do not operate the HAMMERVAC™ without the dust box and HEPA filter in place. Dust box cannot be installed without HEPA filter.

Removal and Cleaning of Dust Box and Filter

⚠ WARNING To reduce the risk of injury, when working in dusty situations, wear appropriate respiratory protection or use a suitable dust extraction solution. Keep filter clean. Efficiency of the HAMMERVAC™ is largely dependent on the filter. A dirty filter will reduce the air flow and overall efficiency of the system. Do not clean with water or compressed air.

Disposal of Dust

Regular filter cleaning and dust box emptying are an essential part of regular maintenance on the HAMMERVAC™, as a full dust box or filter will reduce the effectiveness of the unit. Carefully transfer the filter or collected dust to a suitable container with a tight-fitting lid to minimise the amount of dust that re-enters the air. Ensure minimal dust is allowed to escape when emptying dust boxes or cleaning filters. Disposal of dust needs to be done in accordance with local regulations.

Cleaning Dust Box

Wear suitable personal protective equipment and remove any remaining dust in the dust box port thoroughly after the dust box has been removed and appropriately handled, e.g., by using a compliant dust extraction system (Class M recommended as a minimum) in accordance with local regulations.

Disposal of HEPA Filter

After about 1,500 holes or loss of suction, discard the HEPA filter by cleaning the dust box (refer to the "Cleaning Dust Box" section) and carefully transferring the HEPA filter to a container with a tight-fitting lid. Disposal of HEPA filter needs to be done in accordance with local regulations. Replace HEPA filter with a correct replacement HEPA filter (Cat. No. 49902306).

Adjusting/Installing/Removing Nozzle

Replace the nozzle:

- After drilling about 1,500 holes,
- When the bit brush shows signs of wear,
- When suction is reduced,
- When dust escapes through the bit brush during use

To replace the nozzle, press in the nozzle adjustment button and pull out from the lower nozzle assembly. Slide the new nozzle into the lower nozzle assembly until it snaps into place.

Attaching the HAMMERVAC™ to the Rotary Hammer

These HAMMERVAC™ Dust Extractors are for use with dedicated rotary hammers. Refer to the Specifications chart for compatible tools.

1. Remove the battery pack from the rotary hammer.
2. Slide the foot of the rotary hammer onto the dust extractor.
3. Push the contacts through the protective cover on the rotary hammer. The hammer release will snap into place.

Installing/Removing the Bit

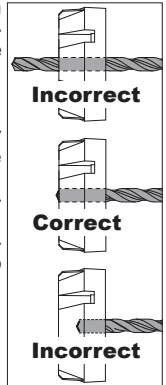
Installing/Removing the Bit Slide the bit through the nozzle and then install into the tool according to the tool manufacturer's instructions. For best results, use a bit 152mm (6") in length or shorter.

Fitting the HAMMERVAC™ to the Tool and Bit

For proper suction and depth control, position the nozzle assembly so the bit is flush with the forward face of the nozzle:

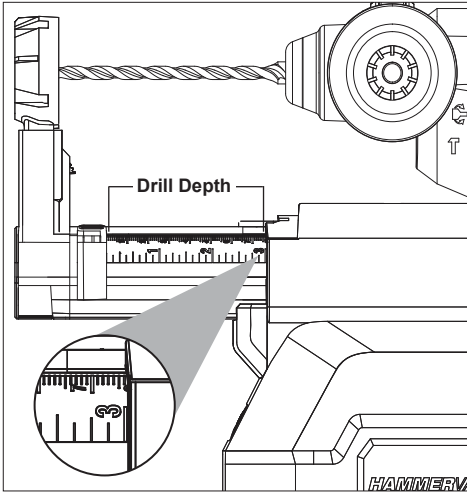
1. Press and hold the tool and bit adjustment button.
2. Push in the nozzle assembly until the bit is flush with the front face of the nozzle.
3. Release the tool and bit adjustment button.

NOTE: Fully extend the HAMMERVAC™ before storing to preserve spring life.



Setting the Drilling Depth

1. Fit the HAMMERVAC™ to the Tool and Bit.
2. Press and hold the depth gauge button and slide the depth gauge to the desired depth. The drilling depth is the last visible measurement shown when viewed from the top of the tool. To ensure the HAMMERVAC™ is properly set to the tool, bit, and desired depth, always drill a test hole.



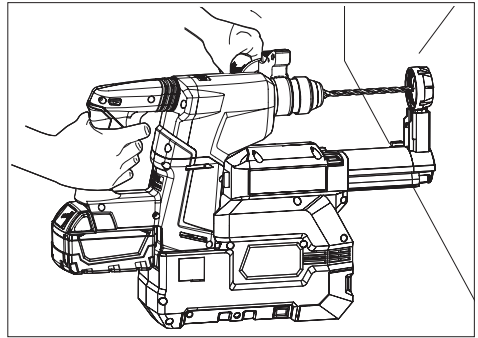
OPERATION

⚠ WARNING To reduce the risk of fire and injury, do not use to pick up flammable or combustible materials.

⚠ WARNING To reduce the risk of injury, wear safety goggles or glasses with side shields and dust mask. Empty dust box completely before use.

Proper Operation

1. Empty the dust box.
NOTE: For optimal use to remove debris in the dust box, refer to the "Removal and Cleaning of Dust Box and Filter" section.
2. Remove the battery pack from the tool.
3. Insert the HAMMERVAC™ onto the Tool and fit to tool and bit. (See Fitting the HAMMERVAC to the Tool and Bit).
4. Set the drill depth.
5. Install the battery pack.
6. Begin use according to tool manufacturer instructions. Pull the tool's trigger to turn on the HAMMERVAC™. Release the tool's trigger to turn off the tool. The HAMMERVAC™ will continue to run for 3-5 seconds to ensure all dust is captured in the dust box.



7. Always hold the tool securely using both handles to maintain control.
8. Stop and empty dust box:
 - When suction decreases
 - When dust begins to come through the bit brush.

ACCESSORIES

⚠ WARNING Always remove battery pack before changing or removing accessories. Only use accessories specifically recommended for this tool. Others may be hazardous.

For a complete listing of accessories refer to your MILWAUKEE® Electric Tool catalogue or go online to milwaukee.com or go online to milwaukee.co.nz. To obtain a catalog, contact your local distributor or a service centre listed on the back cover of this operator's manual.

MAINTENANCE


⚠ WARNING To reduce the risk of injury, always unplug the charger and remove the battery pack from the charger or tool before performing any maintenance. Never disassemble the tool, battery pack or charger. Contact a MILWAUKEE® service facility for ALL repairs.

Maintaining Tool

Keep your tool, battery pack and charger in good repair by adopting a regular maintenance program. After six months to one year, depending on use, return the tool, battery pack and charger to a MILWAUKEE® service facility for:

- Lubrication
- Mechanical inspection and cleaning (gears, spindles, bearings, housing, etc.)
- Electrical inspection (battery pack, charger, motor)
- Testing to assure proper mechanical and electrical operation

If the tool does not start or operate at full power with a fully charged battery pack, clean the contacts on the battery pack. If the tool still does not work properly, return the tool, charger and battery pack, to a MILWAUKEE® service facility for repairs.

 **WARNING** To reduce the risk of personal injury and damage, never immerse your tool, battery pack or charger in liquid or allow a liquid to flow inside them.




Cleaning

Clean dust and debris from charger and tool vents. Keep tool handles clean, dry and free of oil or grease. Use only mild soap and a damp cloth to clean the tool, battery pack and charger since certain cleaning agents and solvents are harmful to plastics and other insulated parts. Some of these include gasoline, turpentine, lacquer thinner, paint thinner, chlorinated cleaning solvents, ammonia and household detergents containing ammonia. Never use flammable or combustible solvents around tools.

Repairs

For repairs, return the tool, battery pack and charger to the nearest service centre listed on the back cover of this operator's manual.

SYMBOLLOGY

	Volts
	Direct Current
	Regulatory Compliance mark (RCM). This product meets applicable regulatory requirements.

WARRANTY - AUSTRALIA and NEW ZEALAND

Please refer to Australian and New Zealand warranty supplied with tool. This warranty applies only to product sold by authorised dealers in Australia and New Zealand.

SERVICE - AUSTRALIA and NEW ZEALAND

MILWAUKEE® prides itself in producing a premium quality product that is Nothing But Heavy Duty™. Your satisfaction with our products is very important to us! If you encounter any problems with the operation of this tool, please contact your authorised **MILWAUKEE®** dealer.

For a list of **MILWAUKEE®** dealers, guarantee or service agents please contact **MILWAUKEE®** Customer Service or visit our website.

(Australia Toll Free Telephone Number 1300 645 928)

(New Zealand Toll Free Telephone Number 0800 645 928)

or visit milwaukeetool.com.au/milwaukeetool.co.nz.

Milwaukee Electric Tool Corporation

13135 West Lisbon Road, Brookfield, Wisconsin U.S.A. 53005

Milwaukee Tool (Australia)

26 - 40 Nina Link, Dandenong South,
Victoria, 3175, Australia

Milwaukee Tool (New Zealand)

274 Church Street, Penrose,
Auckland, 1061, New Zealand

DESIGNED BY MILWAUKEE ELECTRIC TOOL CORP.

PROFESSIONALLY MADE IN CHINA

PRINTED IN CHINA